

interstuhl



Office swivel chairs
Visitor's chairs

Leanos

Models	4
Faces	6
Synchron mechanism	12
Permanent contact mechanism	12
Basic seat height adjustment	12
Armrests	13
Weight regulation	13
Seat depth adjustment	14
Adjustable seat tilt	14
Lumbar support	15
Height-adjustable backrest	15
Ergonomic recessed seat	15
Overview	16
Features	18

Anyone who wants to sit not only well but also economically should try a Leanos: a chair that has everything you need for healthy and fatigue-free sitting. And nothing more. Making it probably the best value for money around. And your controller's favourite chair in any case.

Some chairs only try to keep up appearances, Leanos supports a whole lot more: you don't really see just how good it is at first glance – a second look is needed to discover its design and functional features. But you can certainly feel its class – the very first time you take a seat.

Who would have thought that a concentration
on the essential can be so elegant.
Leanos shows you how.





L 101



L 151

A clear case of understatement. At upper, middle and lower levels, around the conference table and in the foyer – one thing is clear wherever you see a Leanos: you money has been well spent. And it cuts an exceedingly good figure.



Simple, self-evident, convincing.



L 400



L 550

Cutting through the superfluous to leave clear forms. Giving not only every single Leanos an unmistakable face. But the whole family. Whether as an office swivel chair, cantilever or four-legged model with and without armrests – the Leanos product family is obviously a uniform whole.

Armrests are not only a matter of opinion.
They are also a question of the way you work.





L 151

In focus: the armrests. Because not only the chair itself is decisive for fatigue-free sitting. But also its ability to relieve your arms with the matching armrests. The choice is yours with Leanos: elegantly curved and width-adjustable ring armrests. Or the classic design – with both width and height adjustment.



L 101



L 151



L 102

Strength comes from composure – and nothing can shake the composure of this base of hard-wearing steel. It doesn't matter whether you prefer a powder-coated black, bright silver or chrome-plated design – Leanos offers all three options. Your design freedom is also extended by a variety of backrest heights and armrests, various fabrics and colours.

Variety thrives best on a sound basis.



Fine feathers make fine chairs.

Some conferences are more like a general meeting, others are restricted to the higher echelons – and rows of empty chairs are just as unattractive as too few seats. Leanos gives you the flexibility you need: stackable as a four-legged or cantilever model, with or without armrests. For conferences in style.



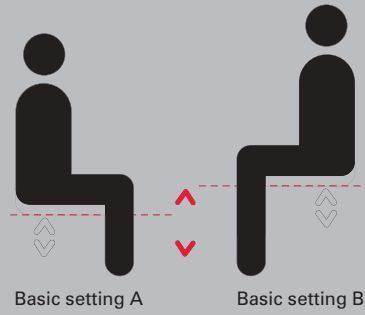
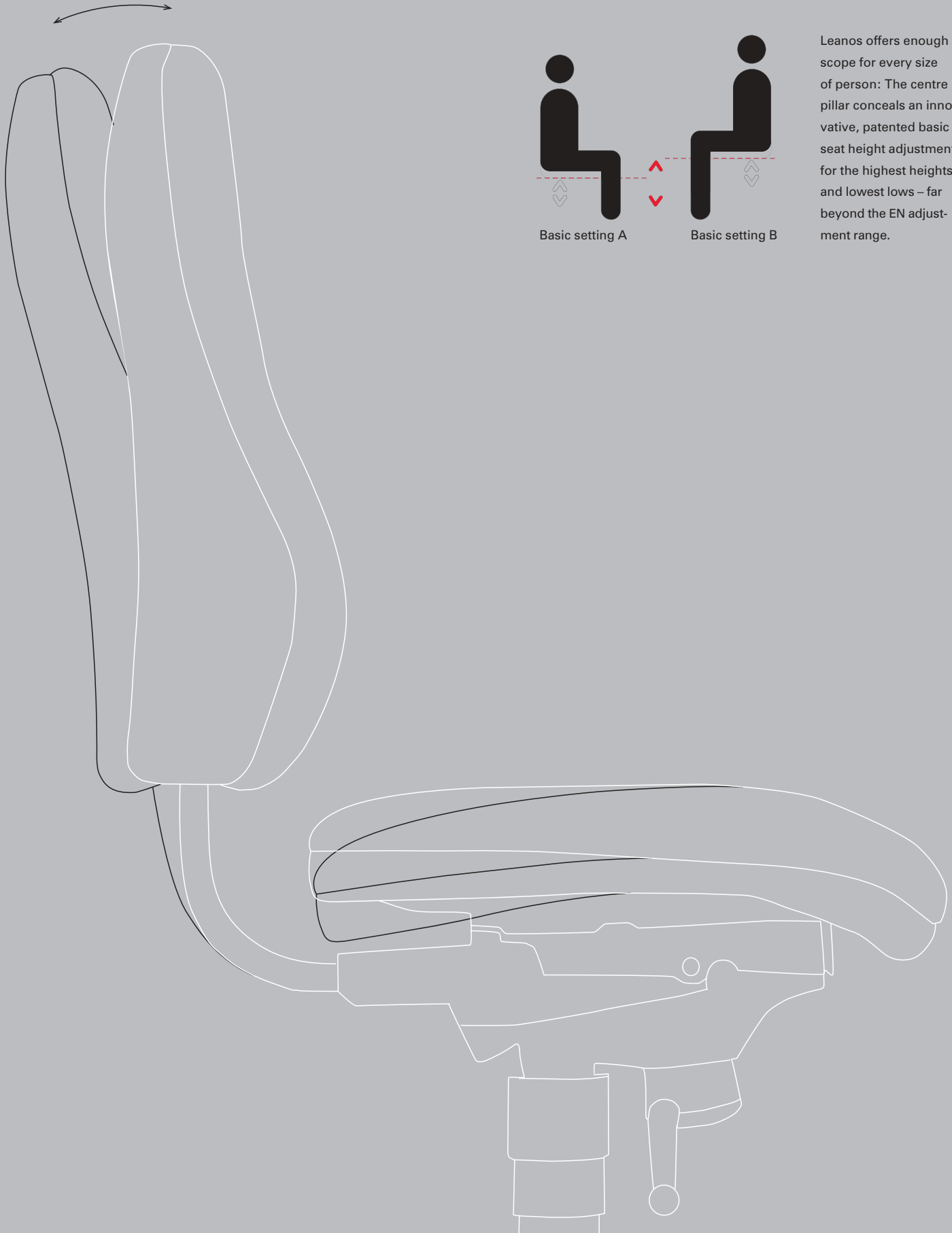


L 500

Smart at the front, an eyesore at the back? Some chairs are like that – but not Leanos. The conference and visitor’s chairs make an impression from all sides. The best: all are covered with hard-wearing and breathable fabrics, an invitation to take a seat whichever way you look at them. Either the cantilever or four legged model, arms comfortably supported or not – you’ll always sit happily. And well.

- Synchron mechanism
- Permanent contact mechanism
- Basic seat height adjustment
- Armrests
- Weight regulation

The more work you do whilst seated,
the better you should sit whilst working.



Leanos offers enough scope for every size of person: The centre pillar conceals an innovative, patented basic seat height adjustment for the highest heights and lowest lows – far beyond the EN adjustment range.

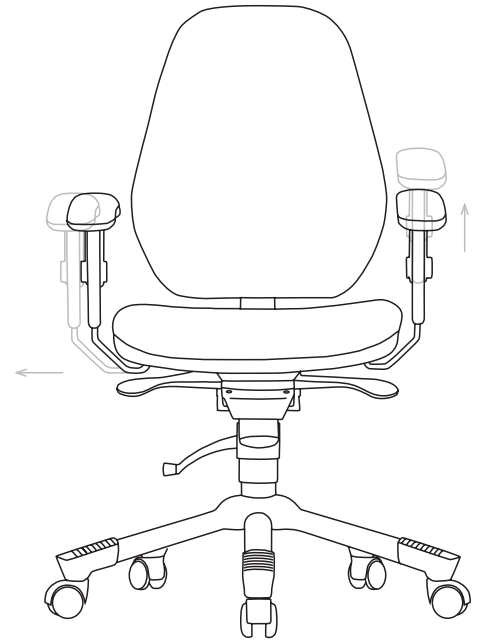


T-armrests, width and height-adjustable, soft armpads



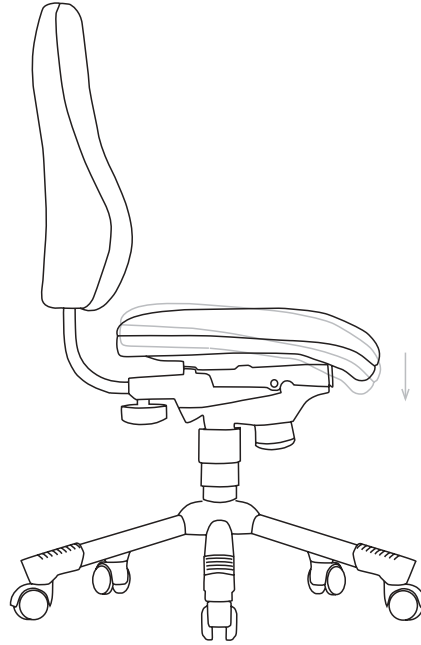
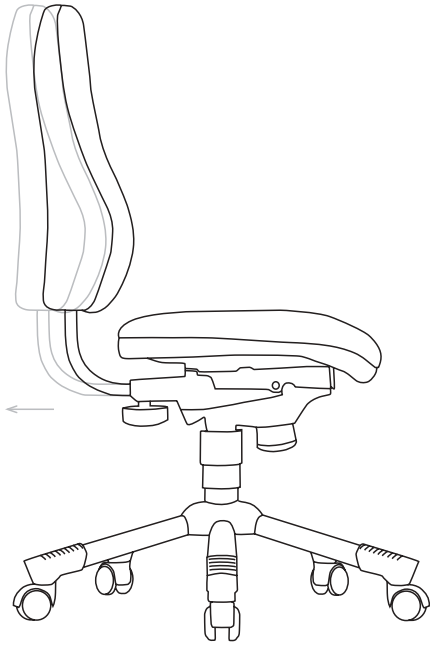
Ring armrests, width-adjustable, plastic

If your working day promises to drag on and on, Leanos is there to help pick you up again. For example with the relaxing offer of simply lowering your underarms onto exactly positioned armrests.



Leanos feels what you need: the weight regulation automatically adjusts the return force of the backrest to your weight – the backrest follows your movements perfectly.

- Seat depth adjustment
- Adjustable seat tilt
- Lumbar support
- Height-adjustable backrest
- Ergonomic recessed seat



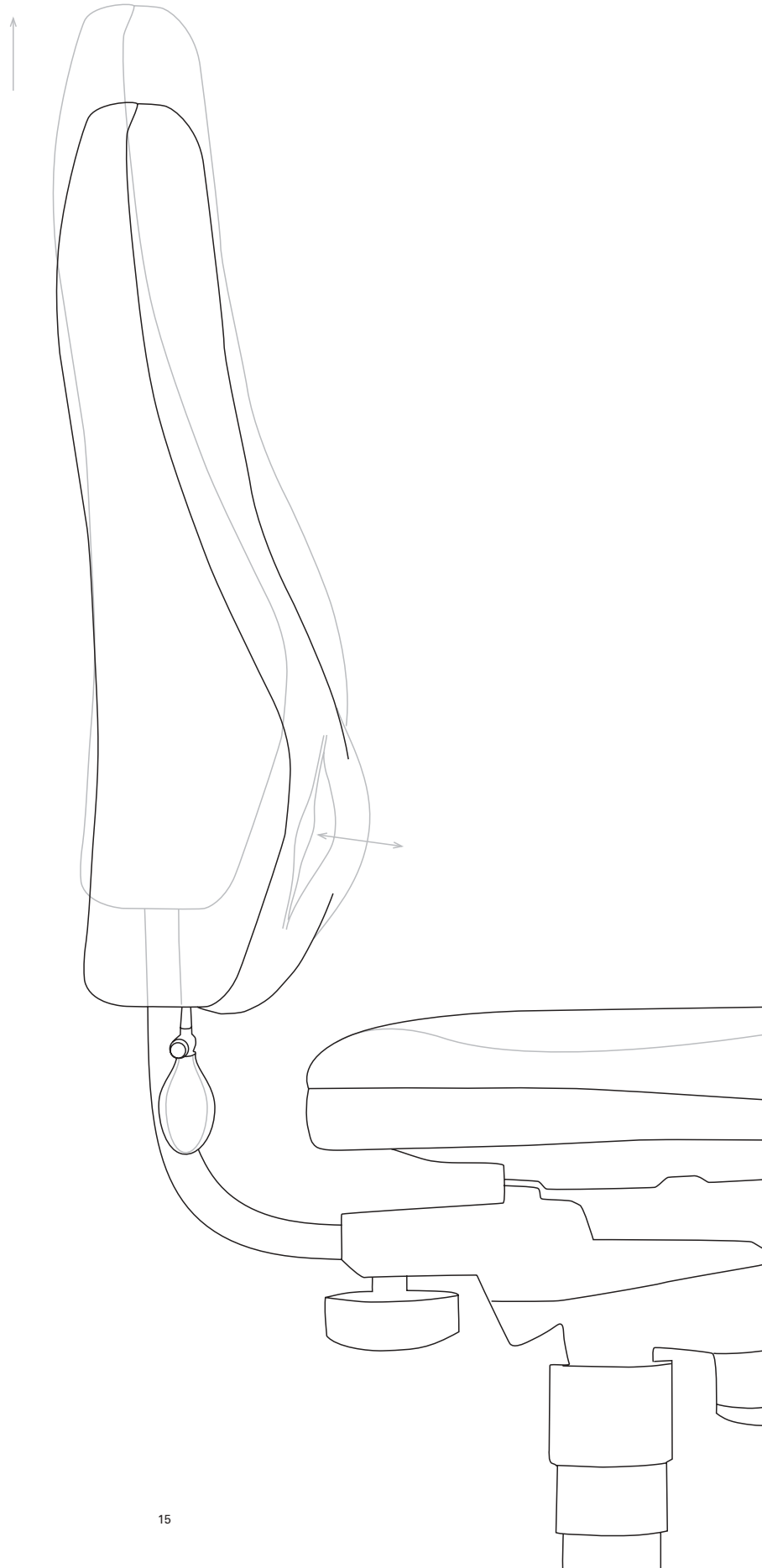
The infinitely adjustable seat depth ensures the correct distance to the backrest, thus offering the best possible support for your thighs however tall you are.

If you often have to lean forwards when working you can simply take Leanos with you: the seat can be tilted forwards by 4°.

Sitting is hard work for the spine.
Make things easier.

From a purely anatomical point of view, sitting is a very unnatural posture – evolution really developed people for an upright gait. The central task of a good chair is to counteract this inferior use of the spine.

Leanos does so in a variety of different ways: firstly the anatomical shape of the recessed seat and backrest. Then the backrest that can be adjusted to your wishes. And above all with the lumbar support: This gently stabilises the lumbar area, thus taking the strain off your intervertebral disks. A godsend with the prospect of overtime at your desk.





L 101
Page 4, 6, 8

- ▶ Steel base, powder-coated black
- ▶ Permanent contact mechanism
- ▶ Weight regulation
- ▶ Basic seat height adjustment
- ▶ Backrest height: 43 cm
- ▶ Backrest height-adjustable
- ▶ hard double castors

optional:

- ▶ Steel base, powder-coated bright silver or chrome-plated
- ▶ Seat depth adjustment
- ▶ Lumbar support
- ▶ Adjustable armrests
- ▶ soft double castors
- ▶ Felt glides
- ▶ MOS design



L 102
Page 8

- ▶ Steel base, powder-coated black
- ▶ Synchron mechanism
- ▶ Weight regulation
- ▶ Basic seat height adjustment
- ▶ Backrest height: 43 cm
- ▶ Backrest height-adjustable
- ▶ hard double castors

optional:

- ▶ Steel base, powder-coated bright silver or chrome-plated
- ▶ Adjustable seat tilt
- ▶ Seat depth adjustment
- ▶ Lumbar support
- ▶ Adjustable armrests
- ▶ soft double castors
- ▶ Felt glides
- ▶ MOS design



L 151
Page 4, 7, 8

- ▶ Steel base, powder-coated black
- ▶ Permanent contact mechanism
- ▶ Weight regulation
- ▶ Basic seat height adjustment
- ▶ Backrest height: 53 cm
- ▶ Backrest height-adjustable
- ▶ hard double castors

optional:

- ▶ Steel base, powder-coated bright silver or chrome-plated
- ▶ Seat depth adjustment
- ▶ Lumbar support
- ▶ Adjustable armrests
- ▶ soft double castors
- ▶ Felt glides
- ▶ MOS design



L 152
Title, Page 3, 4

- ▶ Steel base, powder-coated black
- ▶ Synchron mechanism
- ▶ Weight regulation
- ▶ Basic seat height adjustment
- ▶ Backrest height: 53 cm
- ▶ Backrest height-adjustable
- ▶ hard double castors

optional:

- ▶ Steel base powder-coated bright silver or chrome-plated
- ▶ Adjustable seat tilt
- ▶ Seat depth adjustment
- ▶ Lumbar support
- ▶ Adjustable armrests
- ▶ soft double castors
- ▶ Felt glides
- ▶ MOS design



L 400
Page 5

- ▶ Four legged, tubular steel frame, powder-coated black
- ▶ without armrests
- ▶ Backrest height: 44 cm
- ▶ Stackable

optional:

- ▶ Four-legged tubular steel frame bright silver or chrome-plated
- ▶ Felt glides



L 450
Page 10

- ▶ Four legged, tubular steel frame, powder-coated black
- ▶ with armrests
- ▶ Backrest height: 44 cm
- ▶ Stackable

optional:

- ▶ Four legged, tubular steel frame bright silver or chrome-plated
- ▶ Felt glides



L 500
Page 11

- ▶ Cantilever model, tubular steel frame, powder-coated black
- ▶ without armrests
- ▶ Backrest height: 44 cm
- ▶ Stackable

optional:

- ▶ Cantilever model, tubular steel frame bright silver or chrome-plated
- ▶ Felt glides



L 550
Page 5

- ▶ Cantilever model, tubular steel frame, powder-coated black
- ▶ with armrests
- ▶ Backrest height: 44 cm
- ▶ Stackable

optional:

- ▶ Cantilever model, tubular steel frame bright silver or chrome-plated
- ▶ Felt glides

		L 101	L 102	L 151	L 152	L 400	L 450	L 500	L 550
Steel base or frame	——	●	●	●	●	●	●	●	●
Permanent contact mechanism	——	●		●					
Synchron mechanism	——		●		●				
Weight regulation	——	●	●	●	●				
Basic seat height adjustment	——	●	●	●	●				
Backrest height adjustment	——	●	●	●	●				
Adjustable seat tilt	——		○		○				
Seat depth adjustment	——	○	○	○	○				
Adjustable lumbar support	——	○	○	○	○				
Adjustable armrests	——	○	○	○	○				
MOS conductive fabric	——	○	○	○	○				
Stackable	——					●	●	●	●

- Basic equipment
- optional (for a surcharge)

Environmentally friendly production and ecologically perfect products are a trademark of Interstuhl and also took top priority when developing Leanos. The Environmental Management System at Interstuhl meets the requirements of DIN EN ISO 14001; our Total Quality Management has been certified in accordance with DIN EN ISO 9001 since 1993.

All models in the Leanos range come with an Interstuhl long-term warranty of five and a full warranty of three years.

Quality certificates

Quality produced for the environment

GS-Symbol for tested safety, LGA Nuremberg

Pollutant tested, LGA Nürnberg

Subject to technical changes.
Colour deviations possible due to
printing methods.

IS LE GB 06/04 MAU

Interstuhl Büromöbel
GmbH & Co. KG
Brühlstraße 21
D 72469 Meßstetten-Tieringen
Phone +49-7436-871-0
Fax +49-7436-871-110
info@interstuhl.de
www.interstuhl.de

